

PORTABLE WANDSTATION

Operators
Manual



MODEL:
WSF032-169

HYDRA RINSE®

CLEANS SIMPLE. SAFE. QUICK.



MODEL: WSF032-169

Complete for service reference information regarding your Hydra Rinse® product:

Model Number: _____

Serial Number: _____

© 2020 HYDRA RINSE, LLC | all rights reserved

WSF032-169 Portable Wandstation

NSF Listed as WSF032-169 under Hydra Rinse, LLC

Any unauthorized reproduction, disclosure or distribution of copies by anyone unaffiliated with HYDRA RINSE, LLC relating to any portion of this work may be a violation of Copyright Law of the United States of America and other countries. Statutory Damages of up to \$150,000 (17 USC 504) could result for infringement, which could also lead to consequent civil and criminal penalties. All rights reserved.

HYDRA RINSE, LLC 7870 Lehigh Crossing Suite 1, Victor New York 14564

Toll Free: 844-233-6349

Table of Contents

	Page
Section 1: Installation Guidelines.....	1
Section 2: Operator Introduction.....	2
Section 3: Safety	3
Section 4: Product Introduction.....	4
Section 5: Referenced Components	5
Section 6: Installation	6
Section 7: Wand Functions/Operation	7
Section 8: Mobile/Stationary Dispensing.....	8
Section 9: Application of LEXX™	9
Section 10: Cleaning and Periodic Maintenance.....	10
Section 11: Storage.....	13
Section 12: Troubleshooting Guide	14
Section 13: Replacement Components.....	17
Section 14: Warranty.....	18
Section 15: Appendix A.....	19
● LEXX™ pH Solution Measurement	
● LEXX™ Total Acid Concentration	

Section 1: Installation Guidelines

The information provided is to ensure that your WSF032-169 Portable Wandstation meets factory tested performance.

Requirements



Depending on where the location of the “**Mounting Bracket**” is installed (concrete/drywall, Etc.), anchor bolts (**Not Included**) should be capable of supporting a minimum of 50 lbs. (Max screw diameter 3/16” actual size: 0.1875”)

Care should be taken when installing your WSF032-169 Portable Wandstation to ensure proper performance and operation.

- Only Individuals who have fully read these instructions should install and operate this device.
- Only Authorized Service personnel should make any necessary repairs.

Note: *The WSF032-169 Portable Wandstation was engineered to work exclusively with LEXX™ Liquid Sanitizer and Cleaner Concentrate, i.e. concentration level, specific viscosity, density properties.*

Protective Measures



Never operate the WSF032-169 Portable Wandstation without installation of a 50 PSI pressure regulator (**Included**).

Site Pre-requisite



Water supply must be >50 Pounds per square inch (PSI), having a sanitary pH value of ~7.0-8.0, with a water hardness of <180 ppm.

Water Connection



Recommended water temperature greater than 55°F (12.7°C) but less than 120°F (48.9°C); Default: 112°F (44.4°C).

Note: Sustained operating temperatures equal to or greater than 120°F (48.9°C) can damage the unit.

We recommend using a **Water Softener** to minimize hard water impact on the entire Hydra Rinse® Eco System.



A backflow prevention device is required (**Not Included**) for the inlet water connection. Refer to applicable National, Federal, State and local codes.

Specific State Requirements:

California (CA) Code: (Backflow Prevention, RPP)

Installed Backflow prevention device must meet or exceed specifications of Watts 9D Dual Check Valve(s) with intermediate Atmospheric Vent.

Section 2: Operator Introduction

The following **Hydra Rinse®** product: WSF032-169 Portable Wandstation has been carefully engineered and manufactured to give you consistent operation.

More importantly, the WSF032-169 Portable Wandstation enables “REPEATABLE” dispensing of LEXX™ concentrate without manual mixing. This manual pertains to the following **Hydra Rinse®** Models:

- WSF032-169 Portable Wandstation

To the Operator

Careful maintenance and operation of this unit will ensure product quality and consistent performance (**Refer to Section 10 Cleaning & Storage**)

Please take care in understanding the outlined procedures in this manual.



Read this Operator’s Manual in its entirety before operating or performing any service on this device.

Remember, if you should ever need any technical assistance, always remember to first contact your local authorized WSF032-169 Portable Wandstation Dealer/Reseller.

State Considerations:

(Included) with every WSF032-129 Portable Wandstation is a LEXX™ pH Test Strip Kit. The test strip is used for measuring the acceptable range of pH for proper sanitization (strip should indicate less than 3.5pH).

For States requiring a total citric acid concentration (grams/Liter) semi-quantitative measurement (**Sold separately**). Use QUANTOFIX® Total acid part no. 91353 (Strip should indicate between 2.0-2.5 g/L)

Note: *Warranty is valid if authorized WSF032-169 Portable Wandstation parts are acquired from an authorized Distributor/Reseller, along with any service work being performed by an authorized service technician. Hydra Rinse, LLC reserves any right to deny warranty claims on device or parts if unofficial components were installed in the unit. This also applies to any modifications that fall out of the scope of factory recommendations, apparent abuse or neglect.*

Note: *WSF032-169 Portable Wandstation is under continuous research and engineering; any improvements to our product will lead to information changes within this manual and are subject to change without notice.*

Section 3: Safety

Implementation with any one of our products requires a thorough understanding of factory recommendations; complete knowledge of this Operator's Manual is recommended.

Important Message



Failures to adhere to the listed safety precautions may result in severe personal injury or even death. Personal, unauthorized service or repairs to this unit may result in inadvertent damages, and excessive service repair expense.

Visual Inspection of all Components



As a good practice, please take time to periodically inspect WSF032-169 Portable Wandstation for unforeseeable issues that may arise due to worn or damaged components (e.g. Water lines, supply hoses). Hoses can be an obstacle resulting in tripping and/or falling hazards that result in injury. Always work carefully around the hoses avoiding injury to anyone within direct and/or indirect contact.

Water can wreak havoc with compromised systems, especially with unprotected surroundings like electrical receptacles that are unprotected by ground fault circuit interruption (GFCI). Worn out extension cords can lead to electrical shock when exposed to water.

Water and electricity do not mix. When working with the WSF032-169 Portable Wandstation, please never take anything for granted with your work environment; a proactive approach is the only way to stay safe.

Water/ Temperature



Operating the WSF032-169 Portable Wandstation with water temperatures above 120°F (48.9°C) is not recommended; burns will occur from over exposure.

If floors become extremely wet, remember to always mop before leaving the workspace.

Wand



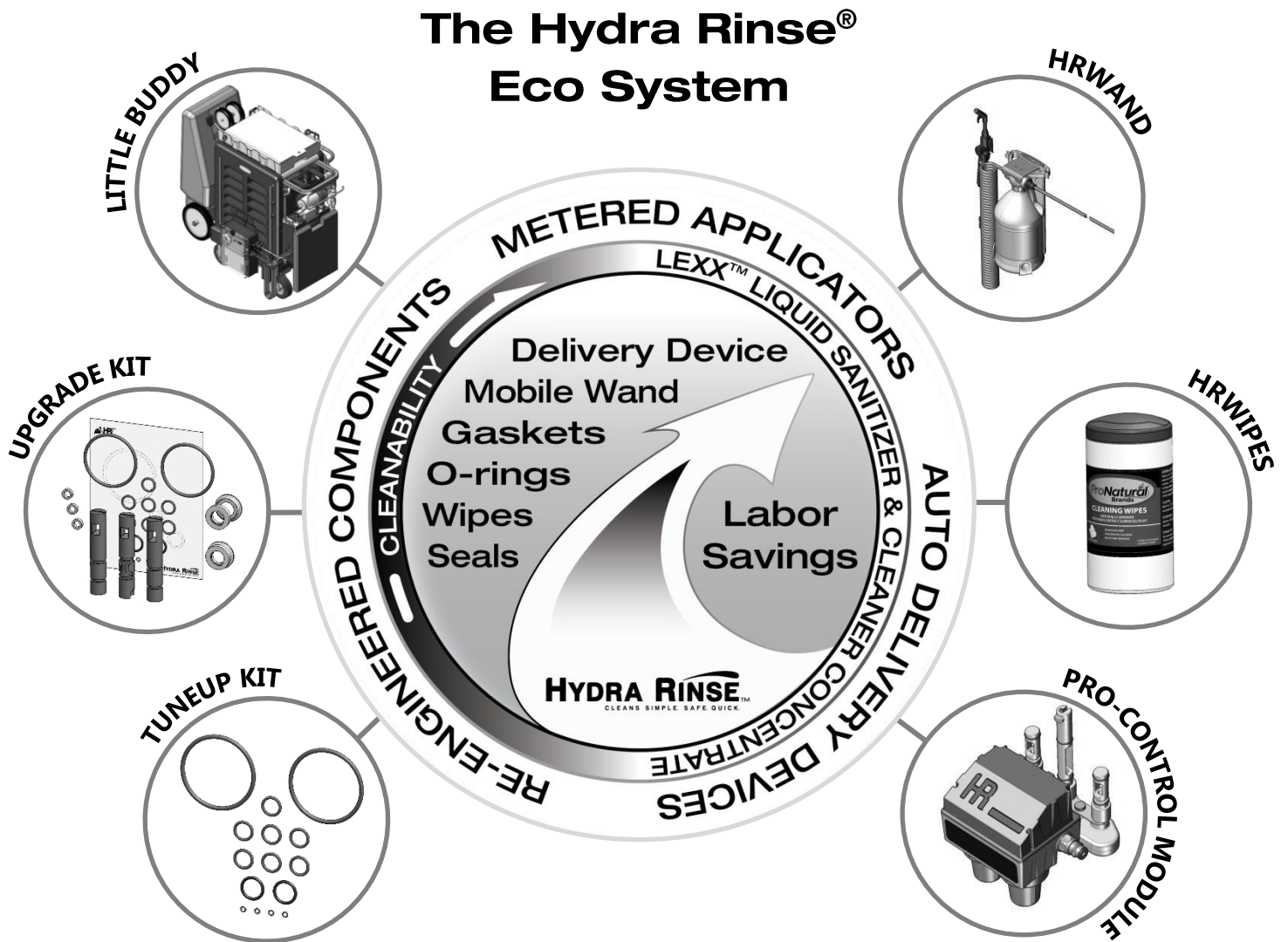
Never directly point the Wand at anyone, for any reason. Never insert the Wand Tip into any orifice of any food dispensing device and/or electrically powered food equipment that may allow access to electrical circuitry/components. When possible, always power off equipment before servicing to avoid electrocution/ damage to device.

Note: *Though our devices are engineered to the highest standard, it is recommended at the end of every day that the water source supplied to the WSF032-169 PORTABLE WANDSTATION is turned off; connections are not intended for permanent installation. Leaving the devices under constant static pressure could result in unwanted water damage or flooding.*

Section 4: Product Introduction

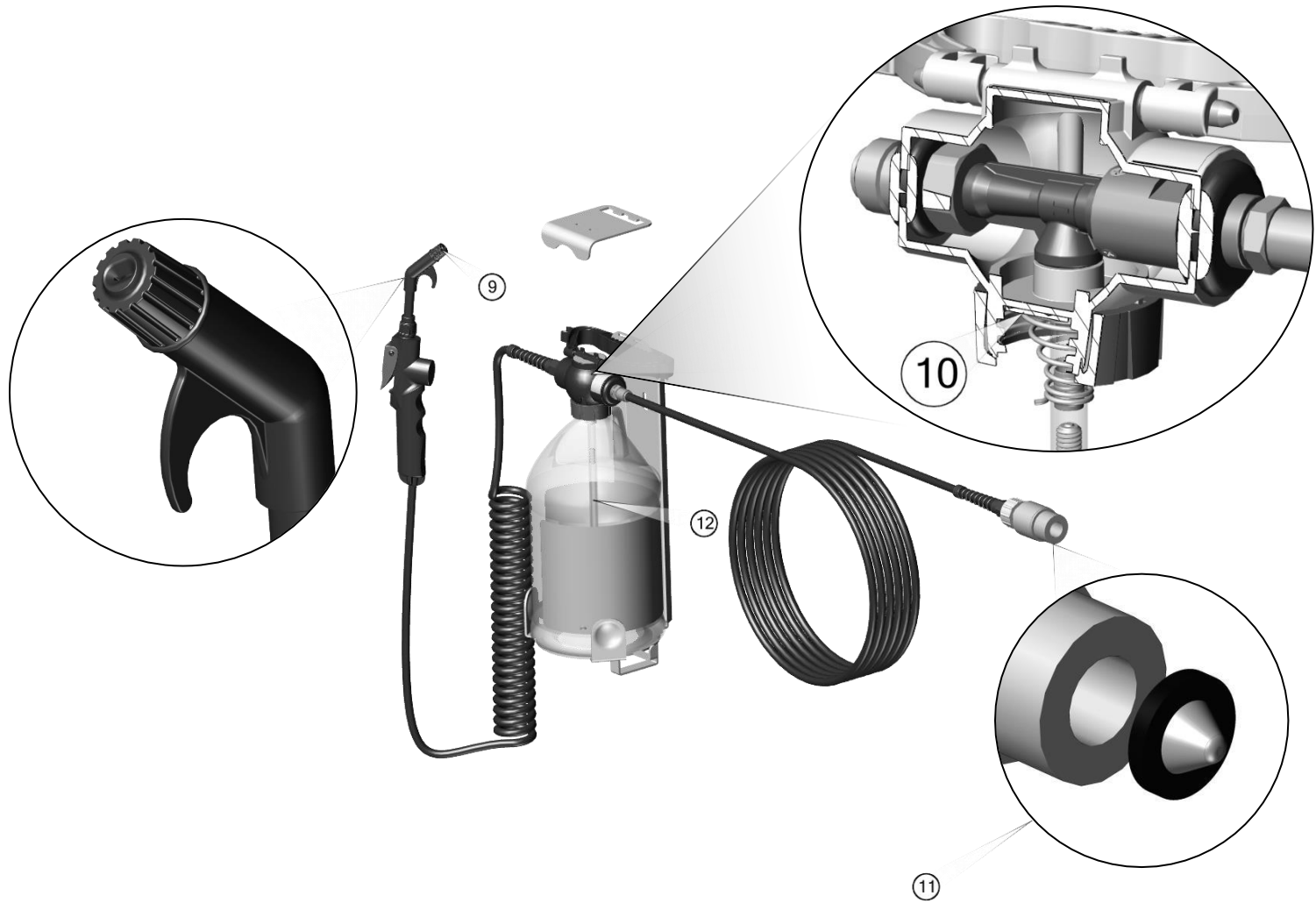
The Hydra Rinse® Eco System is comprised of a plurality of Hydra Rinse® products designed to work exclusively with ProNatural® Brands naturally derived LEXX™ Liquid Sanitizer and Cleaner Concentrate (LEXX™). The Hydra Rinse® Eco System was designed for cleaning food dispensing equipment i.e. soft serve ice cream machines.

When you bring more components of The Hydra Rinse® Eco System into your cleaning process, the more time and money you begin to save while promoting a standardized cleaning solution for end users.



Ask your participating Distributor/Reseller for more information about Hydra Rinse® products and their applications.

Section 5: Referenced Components



The following items will be used in the text of this manual:

Item:	Description:
09	Wand Tip
10	Jug Breather Vent
11	Inlet Water Filter
12	Solution Draw Tube

Section 6: Installation

● Fully remove the Cap & Thermal Foil Protective Seal from the "LEXXTM Liquid Disinfectant and Cleaner Concentrate" gallon Jug.

● While carefully working the Solution Draw Tube into the 1 gal. Jug opening, secure the "**METERING ASSEMBLY**" to the Jug by rotating Jug counterclockwise until snug.

(Do not over tighten; failure to do so will prematurely wear out Jug Breather Vent or worse crack the metering assembly).



Note: If LEXX™ reaches temperatures below 45°F (7.2°C): Warm up to room temperature 60 - 75°F (15.6-23.9°C), and then thoroughly mix or shake prior to use.

● Once the "**25' POLYURETHANE 3/8" O.D. WATER SUPPLY ASSEMBLY**" is snug fitted to a sanitary water source (**Section 1**), continue to rotate clockwise for an additional 90-110° (quarter turn) to insure a good tight water seal.

Note: Hand tight only, do not over tighten.



A backflow prevention device is required (**Not Included**) for the inlet water connection. Refer to applicable National, Federal, State and local codes.



Section 7: Wand Functions/Operation

● The **“Wand Assembly”** is intentionally made of plastic to keep from inadvertently scratching any type of surface substrate during usage. The Actuating Trigger has two settings: Simply press down and release for momentary usage or press down and then slide the trigger forward to temporarily lock the trigger into the dispensing position until desired usage; simply slide back while pressing downward to release.



● The Wand Tip is engineered to deliver 0.25 GPM. You have some control as to positioning the output spray fan from vertical to horizontal and vice versa by manually rotating the Wand Tip.



Section 8: Mobile/Stationary Dispensing

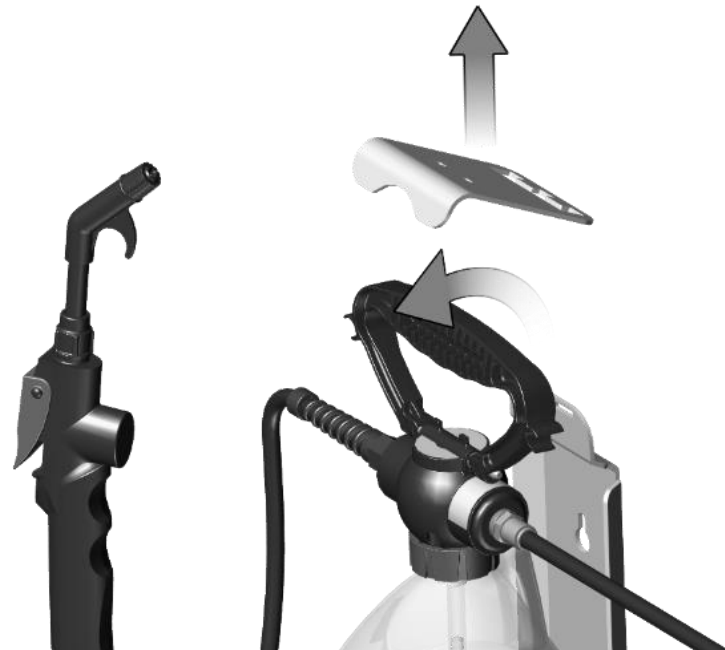
● The **“Mounting Bracket”** performs three simple features:

1. It provides a sturdy nesting place for the WSF032-169 Portable Wandstation.
2. It's designed to be NSF compliant, meaning that it requires no tools for easy removal to go mobile.
3. The hanger beneath the 1 gal. Jug allows for easily stowing of the 25' water supply line.

Note: *There are two mounting holes 5 7/8" apart (**Section 1**) for securing to a vertically solid surface (**anchor bolts sold separately**).*



● By simply lifting the **“MOUNTING BRACKET REMOVABLE LOCKING LATCH”**, the carry handle becomes free, making mobile cleaning applications easy and convenient.

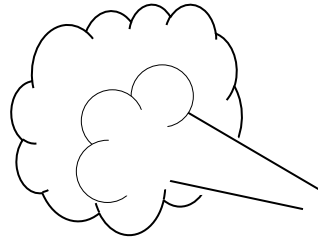


Section 9: Application of LEXX™

LEXX™ DISINFECTANT:

Step 1) Remove soil:

- Apply solution directly to ****hard non-porous surfaces** you want to address. Follow with a mechanical scrubbing to remove soil from surface; wipe clean or rinse with water.



Step 2) Disinfect surface:

- After the surface is deemed clean, reapply another application of LEXX™ and wipe solution to evenly distribute. Let stand/keep wet for at least **10 minutes** to allow solution to effectively disinfect treated surface; **drain away any excess solution. DO NOT RINSE.**

PERIODICALLY TESTING SOLUTION using pH TEST STRIP:

For pH test: Dispense ~8 fl. oz. of **LEXX™** using Wand into a cup. Remove ~2" of the pH Test Strip from the roll: Submerge a portion of the test strip into the solution for 2 seconds, and then remove; $\leq 2.5\text{pH}$ is a good reading when testing with **LEXX™** pH Test Strips.



<http://pronaturalbrands.com>

****LEXX™** excels at a wide array of cleaning tasks involving multiple types of hard, non-porous surfaces such as metal, porcelain/ceramic, plastic, rubber, laminate and vinyl.

LEXX™ Disinfectant Efficacy:

LEXX™ is EPA registered as a hospital grade disinfectant at 1:32 dilution against these 7 virulent *pathogens:

- Staphylococcus aureus
- Escherichia coli
- MRSA
- Pseudomonas aeruginosa
- Klebsiella pneumoniae (CRE)
- Acinetobacter baumannii
- Norovirus

*Pathogen exposure time to LEXX™ was 10 minutes.

LEXX™ met the rigorous EPA hospital disinfectant efficacy requirements in GLP-compliant efficacy studies for the tested hospital/healthcare bacteria and virus.

Section 10: Cleaning and Periodic Maintenance

● Visual gross residue should be removed from exposed surfaces of the WSF032-169 Portable Wandstation on a regular basis using a clean/non-abrasive towel/brush and/or applicator that has been wetted with LEXX™. Simply wipe down until visibly clean.



It's imperative after every bottle of consumed LEXX™ that the Wand itself is disassembled and inspected for sedimentation.

If your water supply is not treated with a water softener, the amount of deposit buildup will vary.

Proper maintenance of the Wand ensures that the product solution will be dispensed at the proper consistency.

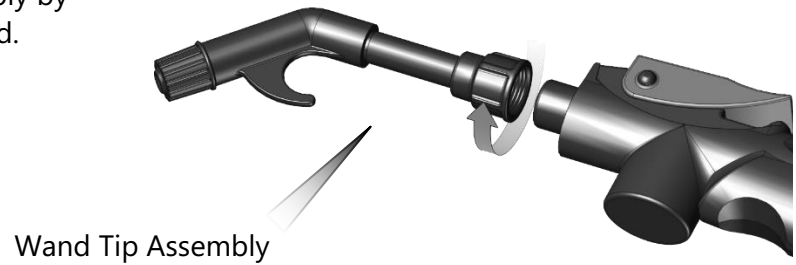
Note: *If you notice a reduction in the amount of foam dispensed refer to troubleshooting guide Section 12.*



Section 10: Cleaning and Periodic Maintenance

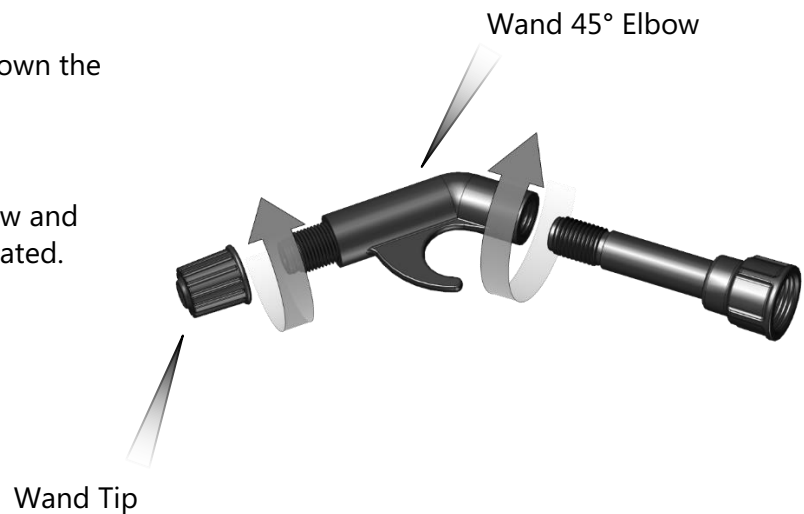
- The Wand was designed for easy disassembly and quick serviceability.

Disconnect the Wand Tip Assembly by rotating counterclockwise as illustrated.



- Next, continue to further breakdown the Wand Tip Assembly into individual components.

Rotate both the Wand 45° Elbow and Wand Tip counterclockwise as illustrated.

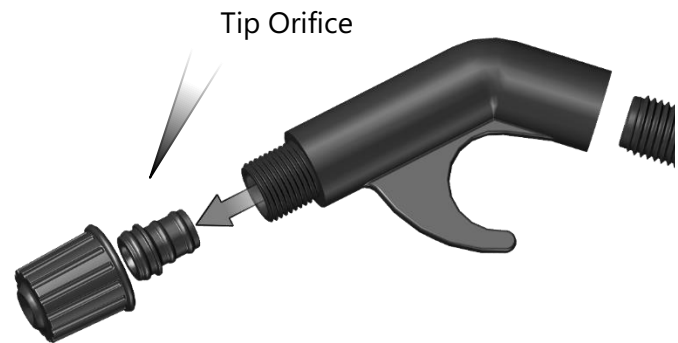


Section 10: Cleaning and Periodic Maintenance

- Residing beneath the Wand Tip is the Tip Orifice.

To remove, slightly twist while pulling on the Tip Orifice. Removing the Tip Orifice provides for necessary access to the Wand 45° Elbow inner passageways.

- Keep all sharp objects away from all Wand components while cleaning. We recommend using a Swab Applicator (Q-tip Swabs with wooden handles approximately 6 inches in length). Rinse with warm water.



Note: Never push any object through the Wand Tip opening while cleaning. Refrain from using mini Barrel Brushes due to the potential of unintentional scratching of surfaces.

Section 11: Storage

- For long term inactivity (>1 month):
Perform the Wand Tip Assembly Cleaning Process to avoid any degradation in performance:

Start by simply removing the 1 gal. Jug of LEXX™ from the Metering Assembly (HRKT0126). With the Wand connected to an active water source, dispense solution from the Wand until the Solution Draw Tube is mostly free from residual product. Next, place the Solution Draw Tube into a cup that is filled with 4-8 fl. oz. of lukewarm water. While dispensing from the Wand, observe that at least 4 fl. oz. of water are drawn from the cup up through the Wand.

Remove the Solution Draw Tube from the cup and continue to dispense until the Solution Draw Tube is mostly empty. Turn off the main water supply while continuing to hold down the Wand Actuating Trigger.

After spray begins to diminish, release Wand Actuating Trigger (this sequence removes any remaining pressure from the system); reattach the “**METERING ASSEMBLY**” to the 1 gal. Jug before stowing.

(Do not over tighten; failure to do so will prematurely wear out Jug Breather Vent or worse crack the metering assembly).

Note: *The Wand has a locking feature for the Actuating Trigger, this would allow for unattended dispensing for the pre-storage process.*



Section 12: Troubleshooting Guide 1 of 3

● Due to the sensitive nature of WSF032-169 Portable Wandstation: Always consult your local authorized Dealer/Reseller when a problem is unresolved.

Things to observe:

If the “**Wand Assembly**” begins to sputter, check the 1 gal. Jug to see if solution is still present; if empty simply replace with a new gallon of LEXX™.

As available solution becomes less than 2/3 full in the 1 gal. Jug, as an operator you will need to keep the WSF032-169 Portable Wandstation vertical, not allowing the possibility of the device to operate while laying on its side, especially during dispensing; this can cause intermittent solution disbursements



Problem:	Potential Cause:	Potential Solution:
No spray	<ul style="list-style-type: none"> • No/low water pressure • Plugged Inlet Water Filter • Reversed inlet/ outlet hoses • Stuck Inlet Check Valve 	<ul style="list-style-type: none"> • Fully turn on water source • Check and clean if required • Swap hose locations • Follow process on page 16 • Contact Dealer/Reseller
No bubbles/ foam	<ul style="list-style-type: none"> • Out of LEXX™ • Plugged/clogged Solution Draw Tube, Wand deposits • Coil Hose buildup 	<ul style="list-style-type: none"> • Install a new bottle of LEXX™ • Contact Authorized Dealer • Perform Wand Cleaning Section 10 • Clean/replace if required
Leaks	<ul style="list-style-type: none"> • Improper engagement of push-to-connect to hose • Loosely connected fittings 	<ul style="list-style-type: none"> • Release pressure then check and re-push hose into leaking fitting • Tighten leaking fitting by rotating an additional 90-110° rotation
Difficulty in squeezing Wand Trigger	<ul style="list-style-type: none"> • Defective Wand 	<ul style="list-style-type: none"> • Replace Wand Assembly

TABLE CONTINUED →

Section 12: Troubleshooting Guide 2 of 3

Problem:	Potential Cause:	Potential Solution:
Jug collapses on itself	• Jug Breather Vent clogged	• Loosen Metering Assembly and then re-tighten with less force • Replace Jug Breather Vent
Metering Assembly is leaking	• Worn or damaged components	• Contact Authorized Dealer for replacement of Check Valve
Wand Trigger Delays in closing/Sticky	• Lubrication of Wand Valve has diminished over time/usage	• Remove Wand Valve and Lubricate with High performance Food Safe Lubricant. See Steps below.

Steps for re-lubrication of Wand Actuation Trigger:



1.) Remove Wand Actuation Trigger Handle. Using a flat head screwdriver, carefully wedge the flat head between the wand actuation trigger handle and the wand body to separate from mounting bosses.



2.) Remove Wand Valve Nut by rotating counterclockwise. Press down on the exposed valve stem to remove the valve spring.



3.) Next, completely remove the Wand Valve, and lubricate both valve O-rings with high performance food safe lubricant. Do not leave large clumps of lubrication on any surface (may clog tip); a light even coat will suffice.



4.) Re-assemble in reverse order. This process may be required once a year based on usage.

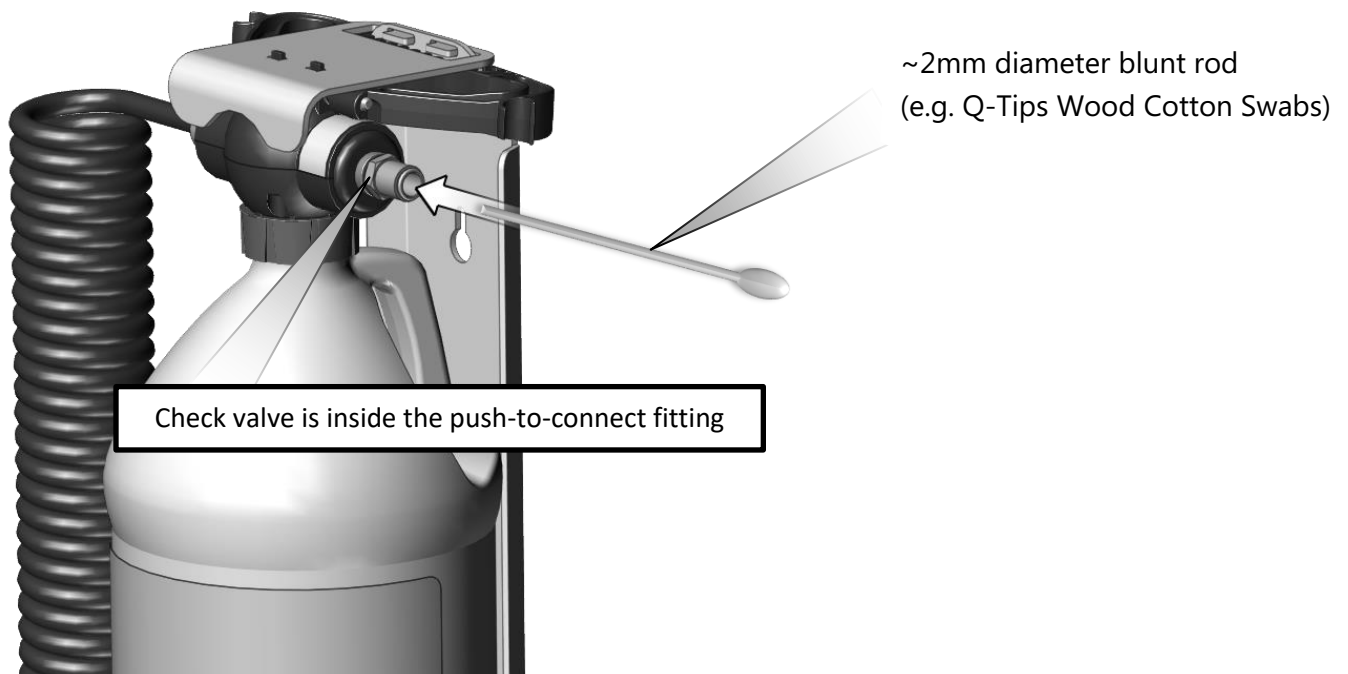
Section 12: Troubleshooting Guide 3 of 3

If the wand has gone for an extend period of time without use, it's possible that the inlet water supply "CHECK VALVE" has become stuck in the closed position. If you are actuating the wand handle, and the water supply is turned on, but no solution is flowing through the wand tip, you'll need to "UNSTICK" the inlet check valve.

- Remove the inlet water supply hose by pressing in on the "PUSH-TO-CONNECT" while pulling outward on the water supply hose.
- Use a blunt dowel ~2mm in diameter, and gentle press inward on the check valve i.e. you'll be pressing on the check valve ceramic ball located in the middle of the check valve, breaking it free from any residue that has dried out over time.



Re-install the inlet water supply hose, turn on the water supply and pull the trigger on the wand handle; if no flow, repeat the process making sure you are pressing in on the check valve ceramic ball.



Section 13: Replacement Components

FOR REPLACEMENT COMPONENTS, ADDITIONAL
INFORMATION, SUPPORT, AND VIDEOS FOR YOUR
HYDRA RINSE® PRODUCTS PLEASE VISIT

www.pronaturalbrands.com/products/portable-wandstation/

OR CONTACT YOUR LOCAL HYDRA RINSE® DEALER



Section 14: Warranty

The Seller warrants the WSF032-169 Portable Wandstation will operate or substantially perform within the published specifications and be free from material and workmanship defects, when subjected to normal, proper and intended usage by properly trained personnel.

Seller agrees during the Warranty Period, to repair or replace, at Seller's option, defective item(s) to allow the WSF032-169 Portable Wandstation to operate or substantially perform within the published specifications; provided the Buyer (a) promptly notifies the Seller in writing when the defect is discovered, and provides Seller the product model, serial number and details of the warranty claim; and (b) after Seller's review, Seller will provide Buyer with service data and/or a Return Merchandise Authorization ("RMA"), which may include product-specific handling instructions. At that time, the Buyer may return the defective item(s) to Seller with all return shipping costs paid by Seller. The Seller has the option to use new or refurbished replacement parts for warranty work. All replaced parts become the property of Seller. Shipment to Buyer of repaired or replacement parts/equipment will be made in accordance with the Seller's delivery policy.

The Seller has no obligation to make repairs, replacements or corrections, in whole or in part, as the result of: (i) normal wear and tear; (ii) accident, disaster or force majeure; (iii) the Buyer's misuse of the WSF032-169 Portable Wandstation or the Buyer's negligence; (iv) use of the WSF032-169 Portable Wandstation in a manner for which it was not designed or intended; (v) external causes such as, but not limited to, power failure or electrical power surges; (vi) improper storage or handling of the WSF032-169 Portable Wandstation by Buyer; or (vii) use of the WSF032-169 Portable Wandstation in combination with equipment not purchased directly from the Seller.

Any installation, maintenance, repair, service, relocation or alteration, or other tampering with, the WSF032-169 Portable Wandstation performed by any individual or entity other than the Seller, without Seller's prior written approval, or any use of replacement parts not supplied by Seller, shall immediately void and cancel this warranty. This warranty entitles to you specific rights, and you may also have other rights, which differ from state to state. No other warranties shall apply.

Section 15: Appendix A

LEXX™ pH Solution Measurement ProNatural® Brands pH Test Strip (HR-KT-0054)

Inspection Process:

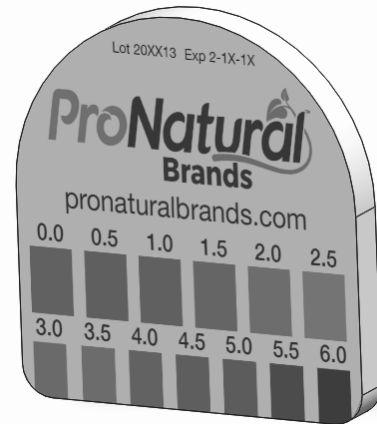
1. Creating Test Solution:

Wand (WSF032-169):

Allow solution to freely dispense into a catch bucket for a minimum of 30 seconds. Next collect at least 8 fl. oz. of solution into a clean emptied cup for collecting test solution.

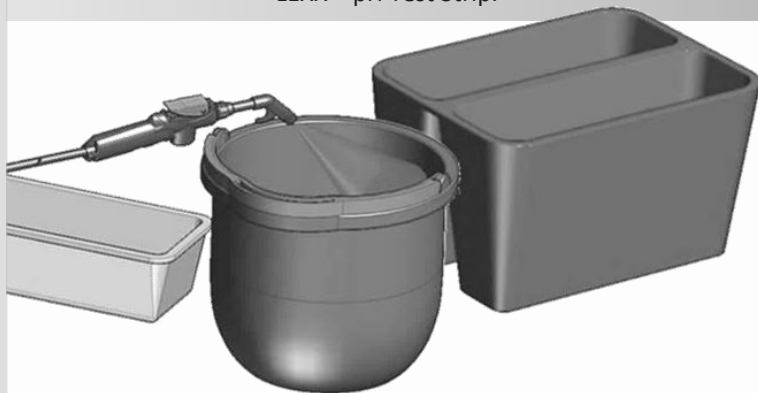
2. Taking Measurement:

Submerge test strip (~2 inches in length from roll) in solution for 2 seconds. Compare wetted test strip immediately to the color scale.



3. Results:

Test strip should indicate ≤ 2.5 pH for an acceptable reading when testing with a LEXX™ pH Test Strip.



Section 15: Appendix A

LEXX™ Total Acid Concentration (grams/Liter) Semi-quantitative Measurement (Sold separately)

QUANTOFIX® Total acid (Part no. 91353)

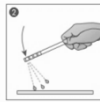
Inspection Process



1. Creating Test Solution:

Wand (WSF032-169):

Allow solution to freely dispense into a catch bucket for a minimum of 30 seconds. Next collect 1 fl. oz. of solution from wand into a clean emptied cup for collecting test solution. Add 3 fl. oz. of tap water to the 1 fl. oz. of solution for a combined total of 4 fl. oz.; gently stir.



2. Taking Measurement:

Follow the instructions supplied with the QUANTOFIX® product to obtain the semi-quantitative total acid content.



3. Results:

Test strip should indicate between:
2.0-2.5 g/L



QUANTOFIX® Total acid

en

Description:
QUANTOFIX® Total acid are test strips for semi-quantitative determination of the total acid content. The total acid content is expressed as g of citric acid per L. QUANTOFIX® Total acid test strips are also suitable for reflectometric evaluation using the QUANTOFIX® Relax (REF 913 46).

Pack content:
1 aluminium can with 100 test strips

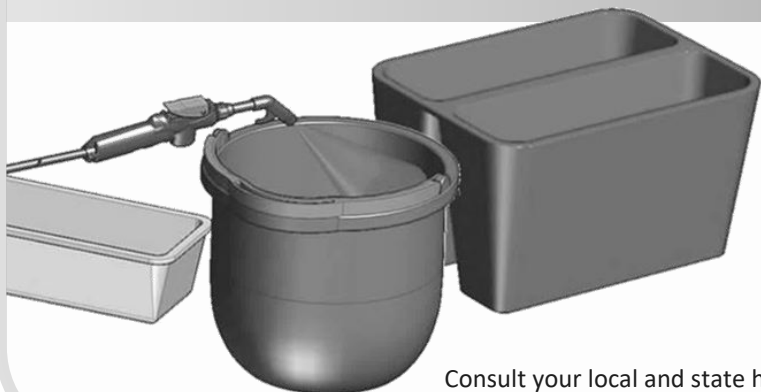
Measurement range

Visually	Reflectometrically
2-5 g/L citric acid	2-5 g/L citric acid

Color gradations:
0 · 2.0 · 2.5 · 3.0 · 3.5

General indicator:
Always with drawal.

Instructions:
1. ...
2. ...



Consult your local and state health codes for your requirements

*Recommend purchasing from CTL Scientific. Toll-Free: 888-686-3454

Intentionally Blank

101-5660 B

HYDRA RINSE®

Standardizing Innovation

Thank You for your
WSF032-169 Portable Wandstation
purchase!

HYDRA RINSE®

Standardizing Innovation

101-5660 B