

HYDRA RINSE[®]

Quick Start Guide

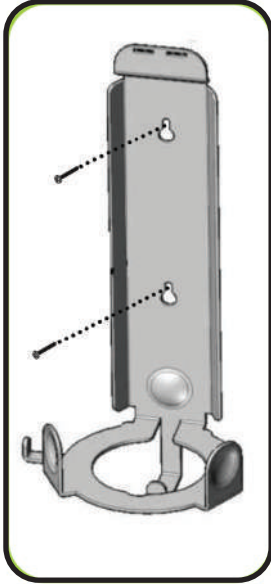
Taylor Shake Machine Series

Quick Start Guide

- Complete Pre-Installation Plumbing
- Install Portable Wandstation
- Assemble Pro-Control
- Upgrade Ice Cream Machine
- Watch Training Videos
- Post-Training Job Aids
- Register Warranty

Install Portable Wandstation

Mount Wand
Bracket



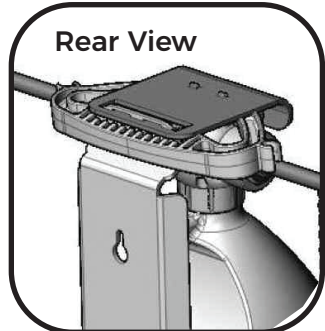
Install LEXX Gallon



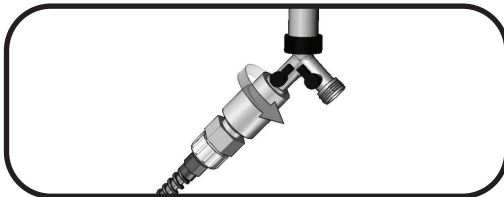
Secure Assembly to Bracket



Rear View



Connect Water Supply



You'll Need:

HRWAND128

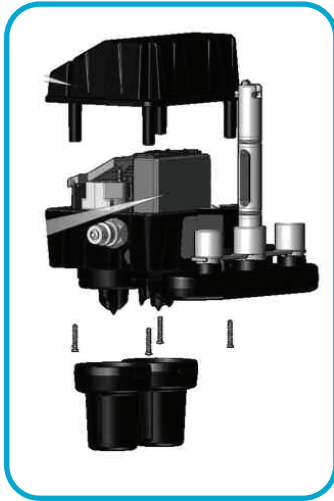


HRLEXX*G

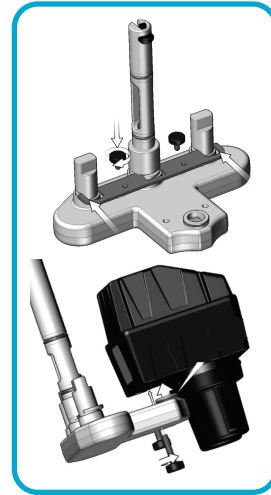


Assemble Pro-Control

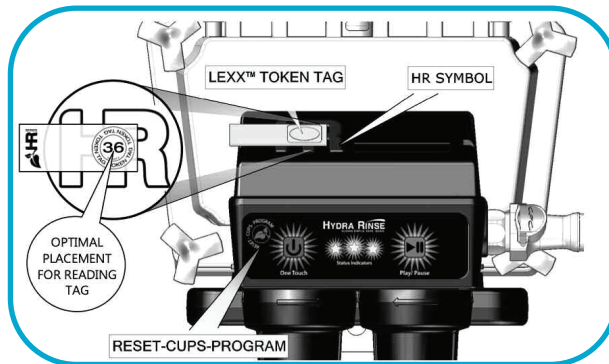
Attach Pistons and Manifold to Pro-Control Module; Refer to **Manifold Assembly Insert**



Install Batteries by Removing Top Cover



Register Token Tag;
Refer to **Token Tag Insert**



You'll Need:

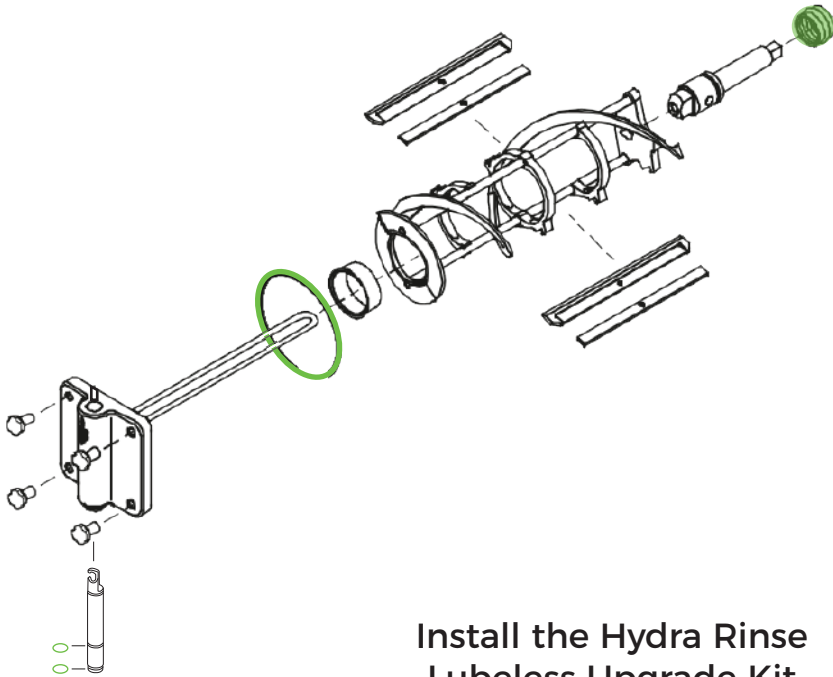
TAYHRPC441



HRLEXXCUPS72



Upgrade Ice Cream Machine



Install the Hydra Rinse
Lubeless Upgrade Kit

You'll Need:
TAYHRUK441

Watch Training Videos

Hydra Rinse has two cleaning procedures, one for cleaning without fully disassembling the machine; also referred to as STAGE 1.

The other procedure requires disassembly every 15 days. Please refer to the laminated process chart to learn how to perform the 15 day clean.

Taylor Shake Machine Series Stage 1 Training Video



Visit our Help Center
for more Training Videos:



You'll Need:
Internet Access



Post-Training Job Aids

Hang signage on or near the soft-serve machine for quick and easy reference

Taylor Shake Machine Series Process Chart



Visit our Help Center for a Digital Copy:



You'll Need:
Internet Access for Digital Copy



Usage Tips and Tricks

Taylor 441

Cleaning time should not exceed **20 minutes** from start to finish.

Taylor 444

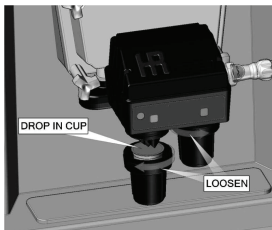
Cleaning time should not exceed **35 minutes** from start to finish.



When performing process, refer to video and posted Job Aids for optimum efficiency.



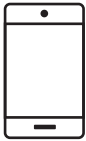
Eliminate NIGHT Shift cleaning work; place machine in **STANDBY**. Refer to posted Job Aid.



When inserting LEXX chemical pods, only remove one cup housing at a time to avoid confusion. Rotate cup housing and keep in position for easier reattachment.

Register for Warranty

Get the most out of your purchase by registering your warranty. Get access to exclusive deals and news from your friends at Idea Boxx, Hydra Rinse and ProNatural Brands.



Warranty Form



www.hydrarinse.com/warranty

You'll Need:

Internet Access





102-1200.A