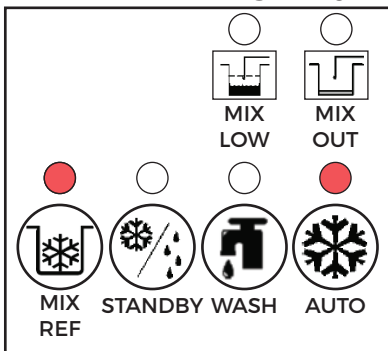


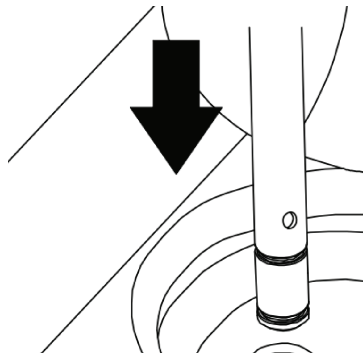
HYDRA RINSE®

	Sunday	Monday	Tuesday	Wednesday	Thursday	Friday	Saturday
Week 1							
Week 2							

Morning Shift Non-Cleaning Days:



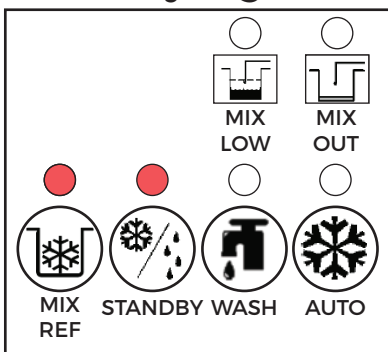
Restore Operation from **STANDBY** to **AUTO**



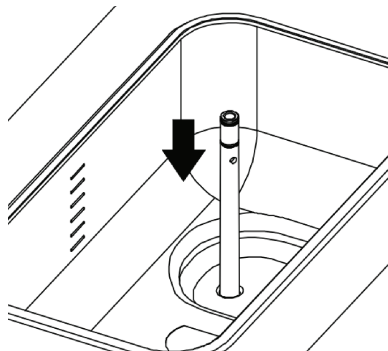
Install MIX FEED TUBE with inlet hole facing down (in to mix)

- Restore operation from Standby to Auto
- Allow Freezing Cycle to complete
- Reinstall mix feed tube with inlet hole facing down
- Wipe down machine with sanitized cloth

Night Shift (Every Night):



Place Machine in **STANDBY**



Remove and reinstall MIX FEED TUBE with inlet hole facing up (out of mix)

- Wipe down machine with sanitized cloth